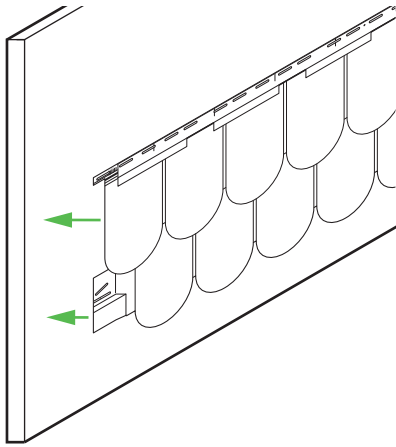


# Cedar Discovery® Half-Rounds Installation



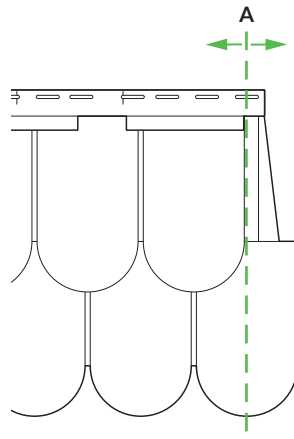
## EXPERT INSTALLATION TIPS GETTING IT RIGHT THE FIRST TIME

### SHEATHING



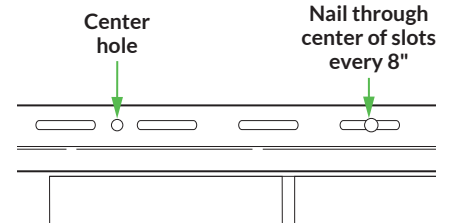
A solid nailable sheathing, such as plywood or OSB and a water resistive barrier (WRB) is **necessary** for a proper and secure installation.

### PANEL PLACEMENT

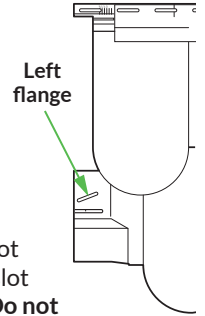


Panels must **always** be installed from **right to left**. Cut the first panel in the first course at "A". Allow 1/4" gap at all corner posts, J-Channel, or other stops.

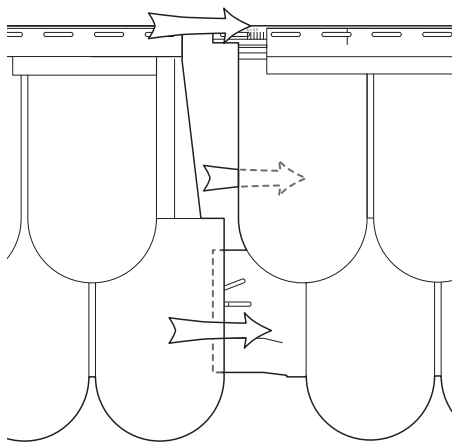
### FASTENING



Each full panel requires at least **8 fasteners** - seven in the top nail hem (one in the center hole) and one fastener in the center of the left flange slot. Do not fasten into the last nail slot on either end of panel. **Do not fasten tight.**



### OVERLAPPING PANELS



Slide the next panel into position: the top half of the panel, except the nail hem, slides under. The bottom half slides over the previous panel.

### TEMPERATURE

Air Temperature (°F)	10	30
Temperature Mark	1/4	
Panel Overlap		

Let panels acclimate to the air temperature. Air temperature should be checked **ONLY** when installing the first course of each new wall to **determine the amount of panel overlap.**

Learn more about proper installation and view expert training videos

Click or scan the QR code below.



[www.bit.ly/3GQhKIU](http://www.bit.ly/3GQhKIU)

**More tips on reverse side**

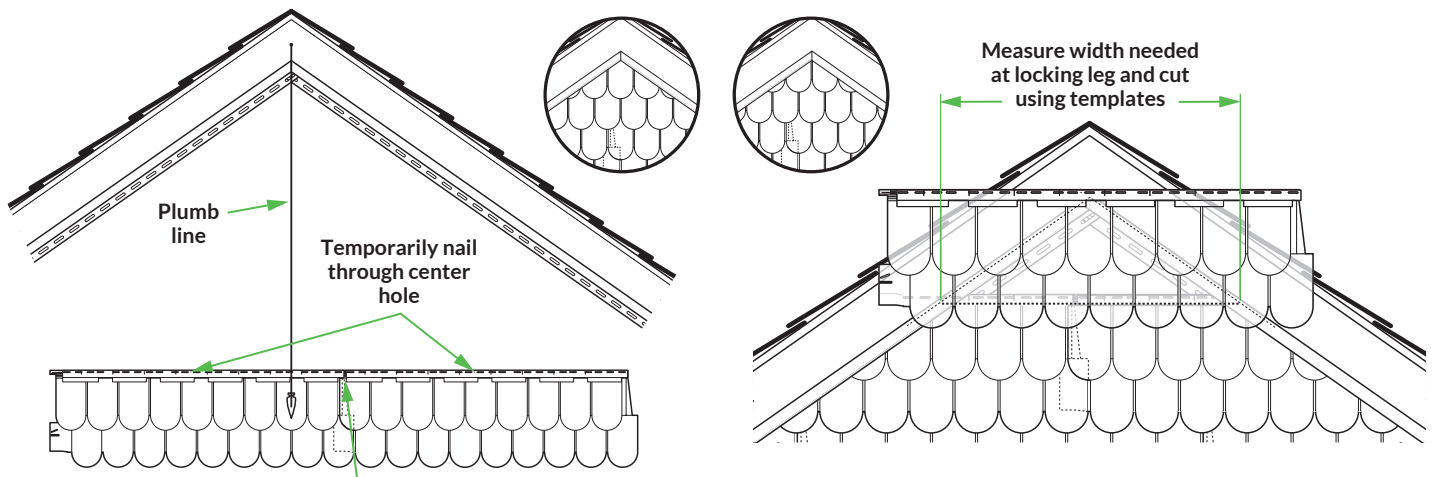
# Cedar Discovery® Half-Rounds Installation

Installing On Gable Ends



## EXPERT INSTALLATION TIPS GETTING IT RIGHT THE FIRST TIME

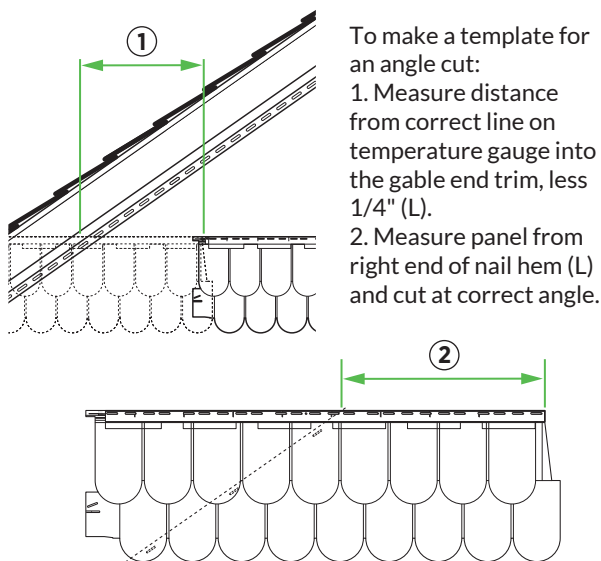
### CENTERING



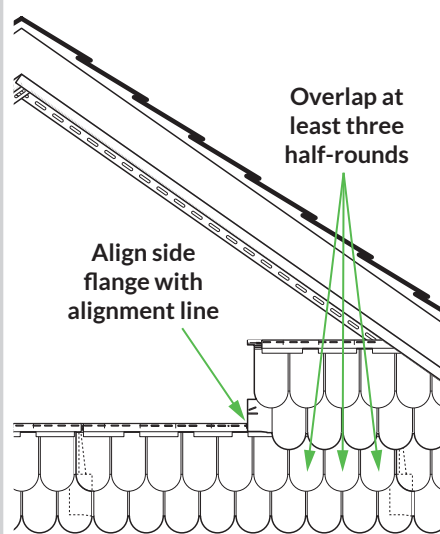
The top piece should be centered at the peak of the gable for proper appearance. For symmetrical appearance at the peak, position and lock a full panel in the first course with Half-Rounds at the center of

the gable. Temporarily fasten through the center hole. Continue temporarily installing full panels toward right side of the gable to establish where to cut the right end of the first panel.

### ANGLES



### OVERLAP



Learn more about proper installation and view expert training videos

Click or scan the QR code below.



[www.bit.ly/3GQhKIU](http://www.bit.ly/3GQhKIU)