

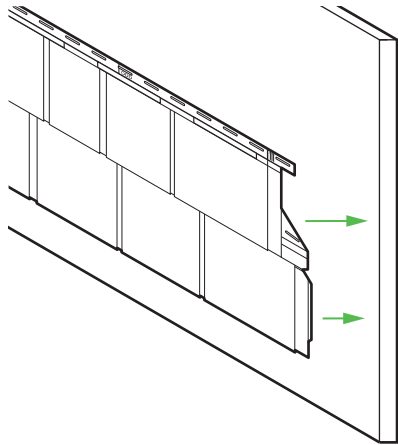
# Cedar Panel Siding Installation

Panel Styles: Double 7" and Hand-Split Shake



## EXPERT INSTALLATION TIPS GETTING IT RIGHT THE FIRST TIME

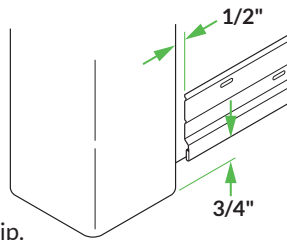
### SHEATHING



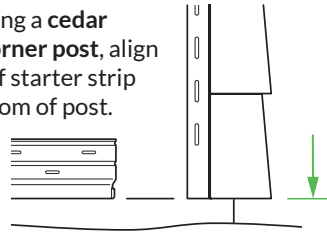
A solid nailable sheathing, such as plywood or OSB and a water resistive barrier (WRB) is necessary for a proper and secure installation.

### CORNER POSTS

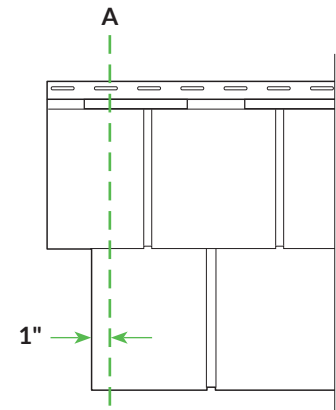
When using a **Universal Corner Post**, hang post 3/4" lower than the bottom of the starter strip. To allow for expansion/contraction, align starter strip 1/2" from the Post.



When using a **cedar panels corner post**, align bottom of starter strip with bottom of post.

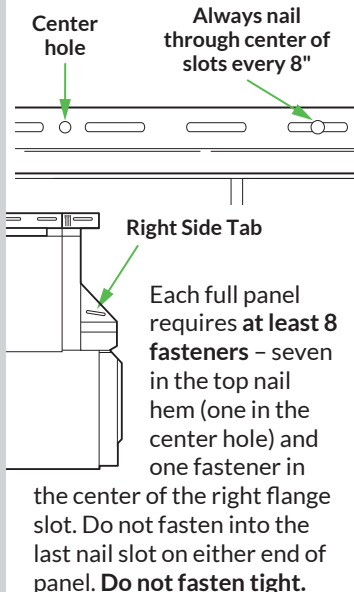


### PANEL PLACEMENT



Panels must **always** be installed from **left to right**. Cut the first panel of the first course at "A", which is 1" in from the bottom left end of the panel. Allow 1/4" gap at all corner posts, J-Channel, or other stops.

### FASTENING



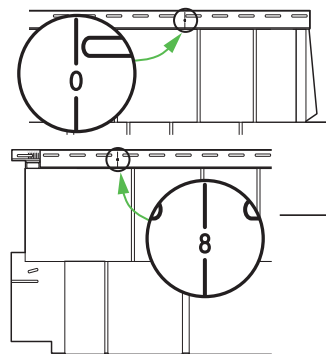
Each full panel requires **at least 8 fasteners** - seven in the top nail hem (one in the center hole) and one fastener in the center of the right flange slot. Do not fasten into the last nail slot on either end of panel. Do not fasten tight.

### TEMPERATURE

Air Temperature	100°F	70°F
Panel Overlap		

Let panels acclimate to the air temperature. Air temperature should be checked **ONLY** when installing the first course of each new wall **to determine the amount of panel overlap**.

### ALIGNMENT



**Very important:** Align the bottom right end of panel on the even rows with the "EVEN" alignment line on the panel below. Align odd rows with the "ODD" line on the panel below.

Learn more about proper installation and view expert training videos

Click or scan the QR code below.



[www.bit.ly/3GQhKIU](http://www.bit.ly/3GQhKIU)