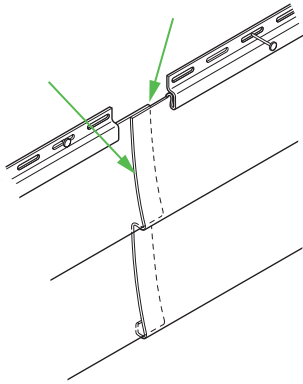


Horizontal Vinyl Siding Installation



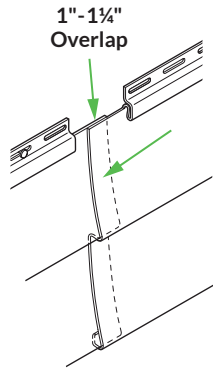
EXPERT INSTALLATION TIPS GETTING IT RIGHT THE FIRST TIME

OVERLAPS



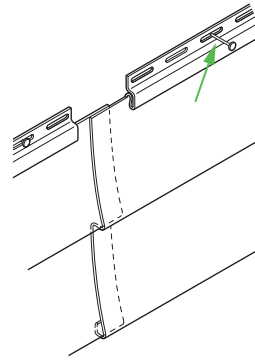
Use **factory-over-factory laps** to ensure proper movement of the panels.

OVERLAPS



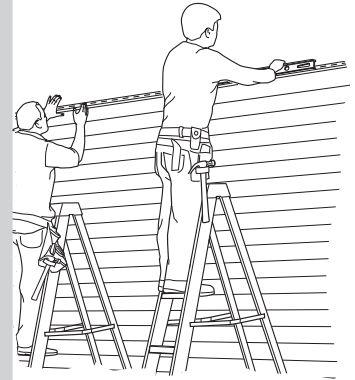
Overlap panels **half of the factory lap** or approximately **1"-1 1/4"**.

FASTENING



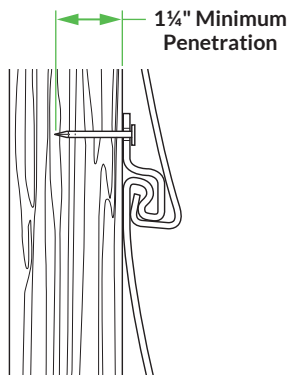
At panel overlaps, always fasten **at least 3 nail slots** from the overlaps. This will help with the lap appearance.

FASTENING



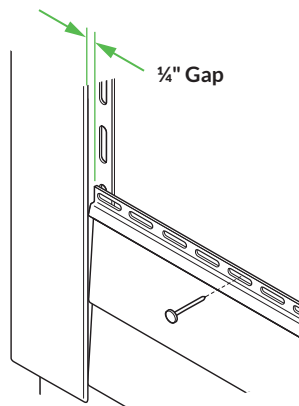
Fasten a **maximum of 16" on center**; fastened straight and level to prevent distortion of the panel. Start nailing in the middle of the panel.

FASTENING



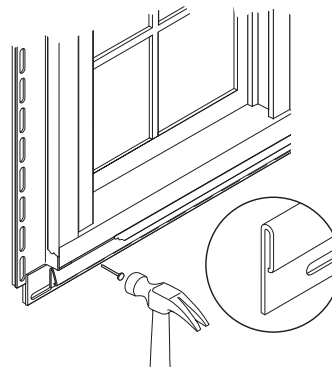
Fasteners must penetrate a nailable surface by **1 1/4"**.

GAPS



Leave a **1/4"** gap at all stops when the outdoor temperature is over 40°, and a minimum of **3/8"** gap when below 40°.

UTILITY TRIM



Required: install utility/under sill trim when the top nail hem has been removed, i.e., under the window and on the top course under an eave.

Learn more about proper installation and view expert training videos

Click or scan the QR code below.



www.bit.ly/3GQhKIU