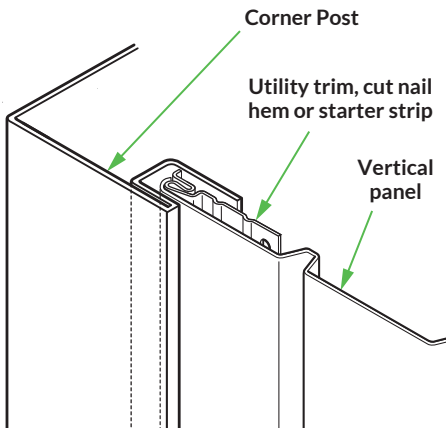


# Vertical Vinyl Siding Installation



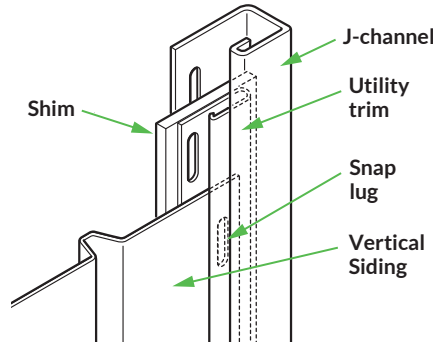
## EXPERT INSTALLATION TIPS GETTING IT RIGHT THE FIRST TIME

### STARTING



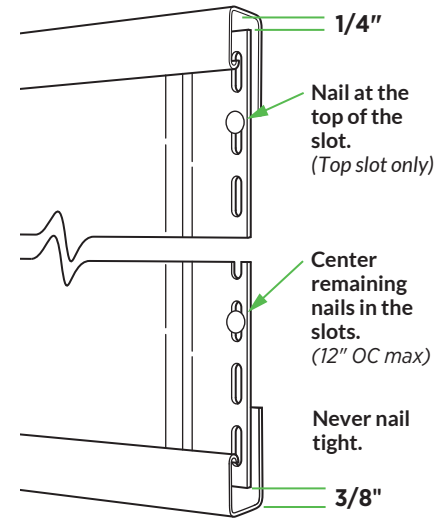
Start the wall with utility trim, cut nail hem or starter strip (shown).

### ENDING



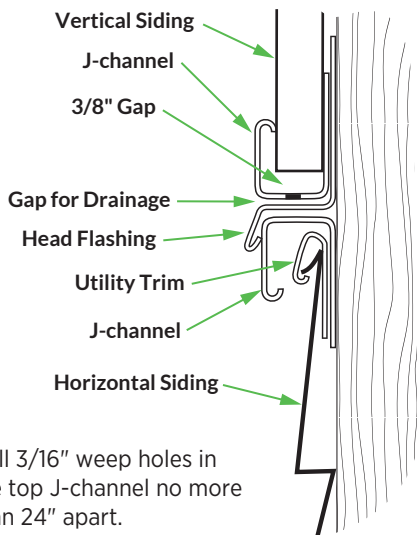
End the last piece with utility trim which you may need to shim. Punch lugs in the siding along the cut edge every 6" max, so raised lugs are on the outside face of the panels. Make sure the lugs lock into the utility trim.

### FASTENING



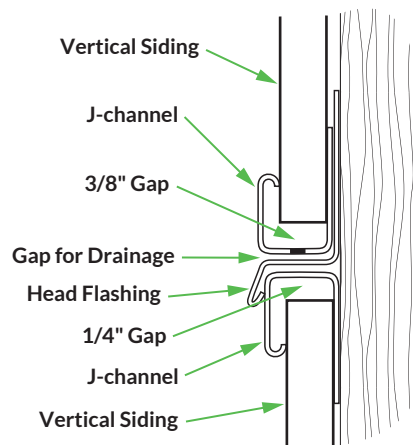
### TRANSITIONING

#### Horizontal Siding to Vertical Siding



### TRANSITIONING

#### Vertical Siding to Vertical Siding (Never overlap panels)



Learn more about proper installation and view expert training videos

Click or scan the QR code below.



[www.bit.ly/3GQhKIU](http://www.bit.ly/3GQhKIU)

